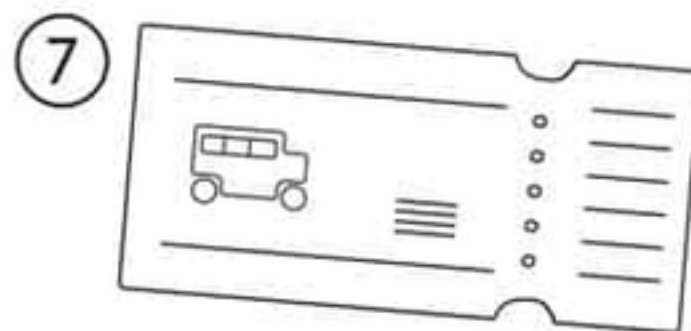
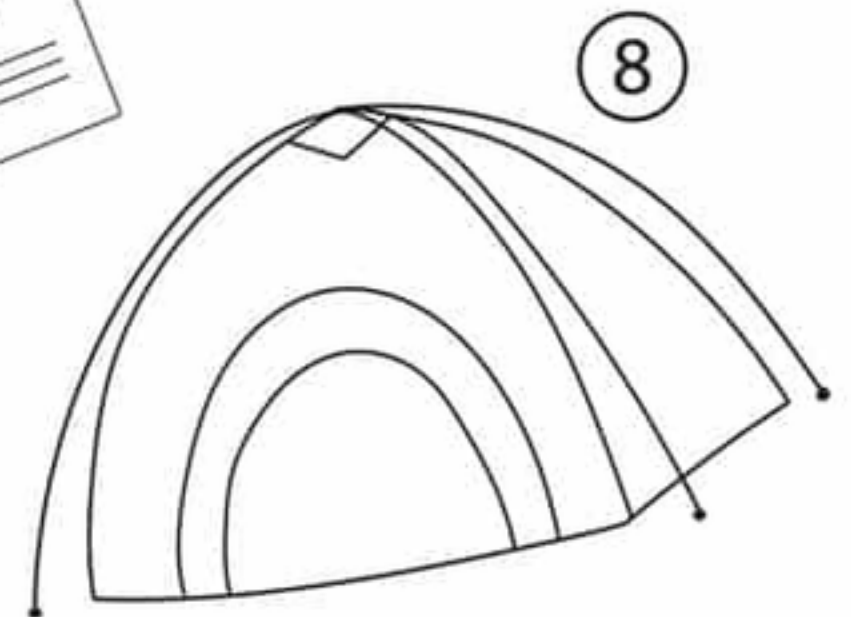
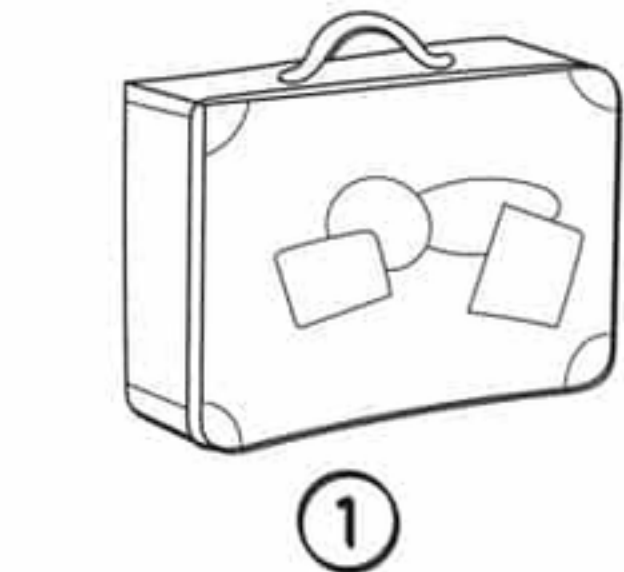
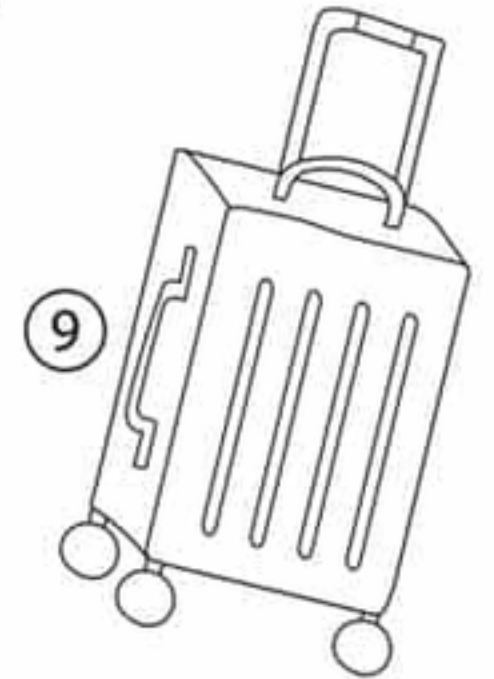
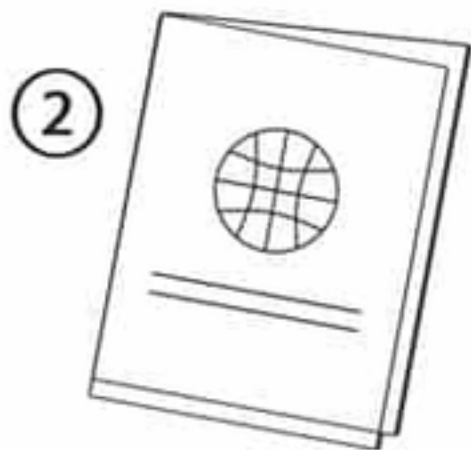
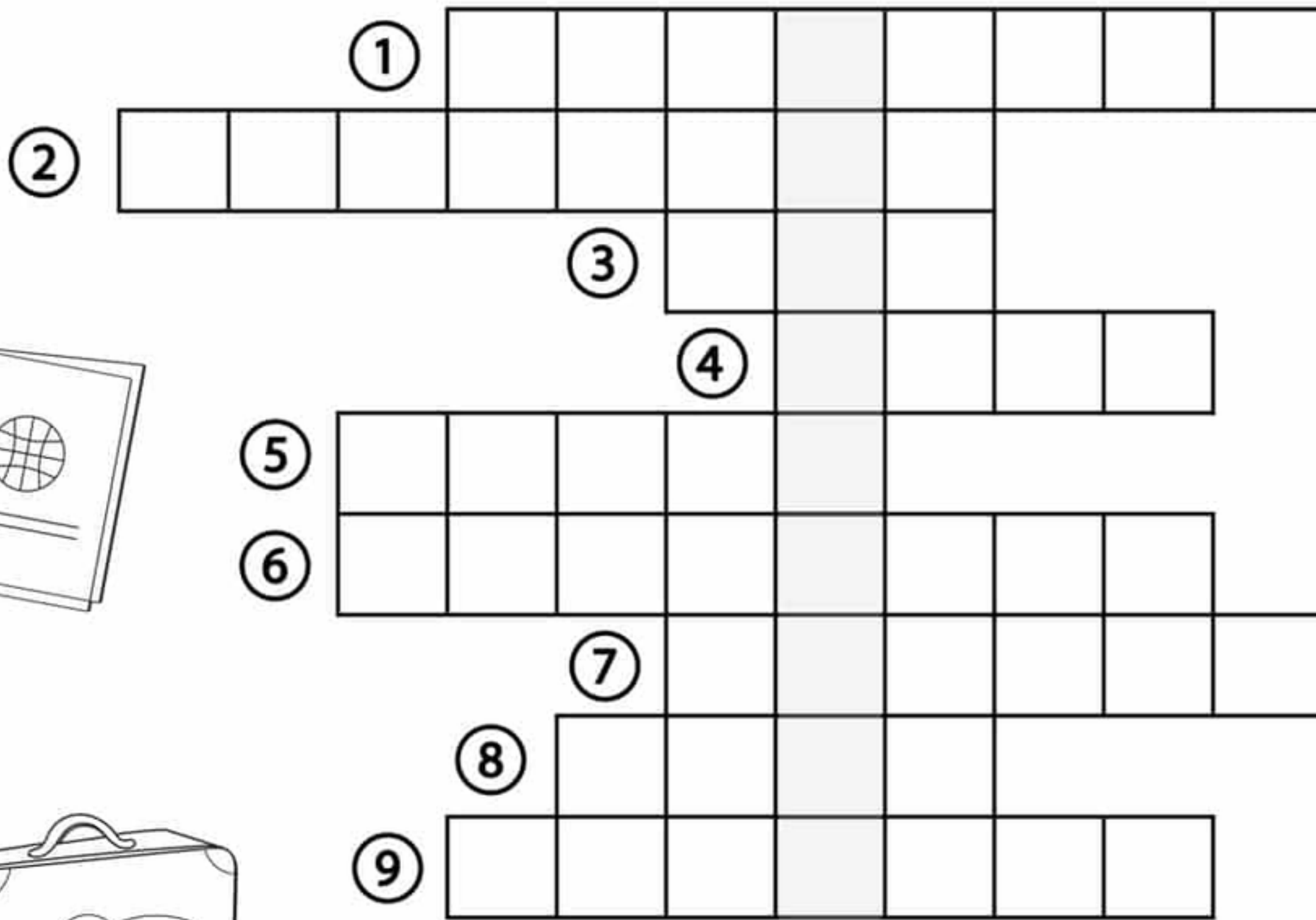
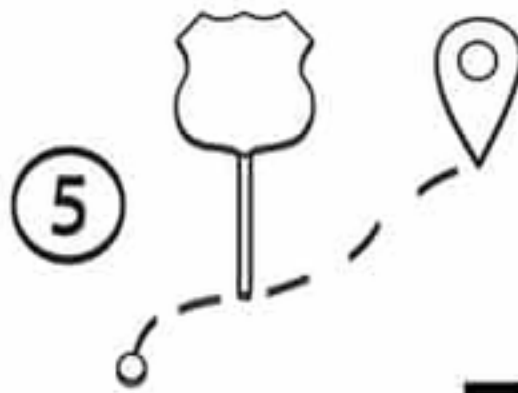
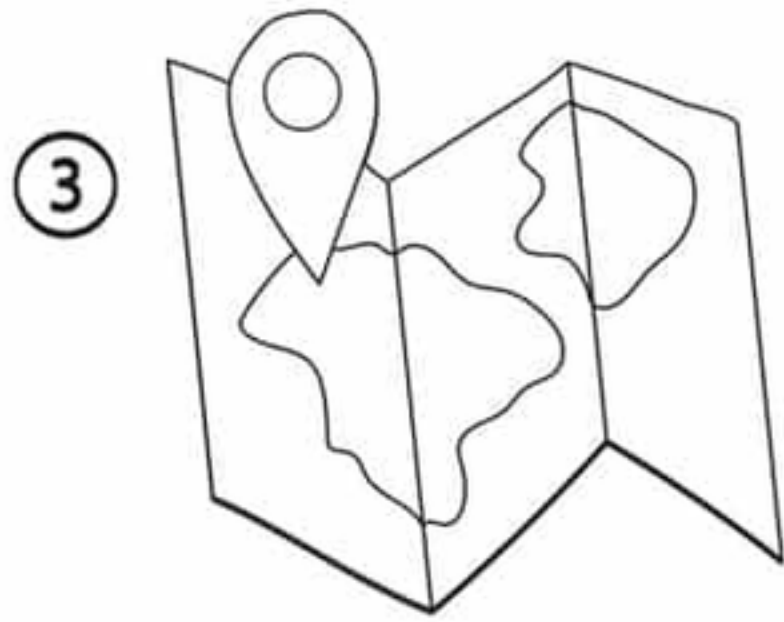


CROSSWORD

Find the Word!



Name: _____