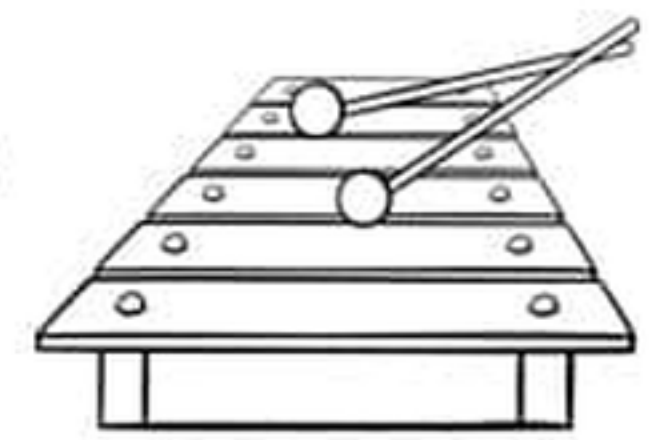


# X WORDS

FIND THE WORD



T	D	A	I	N	E	M	I	X	A
T	E	T	F	X	D	A	S	S	R
S	S	N	R	G	U	X	U	X	H
U	R	A	O	G	H	R	R	Y	T
P	Y	U	I	H	S	B	E	S	R
O	N	X	F	H	P	N	X	T	A
N	F	Q	L	A	P	O	T	E	N
E	H	M	P	U	Q	I	L	R	E
X	X	U	W	H	C	W	X	Y	X
X	E	R	U	S	E	S	S	Q	X



- XRAY XYSYTER XERUSES
- XIPHIAS XERUS XIGUA
- XYLOPHONE XENOPUS
- XIMENIA XENARTHRA

Name: \_\_\_\_\_